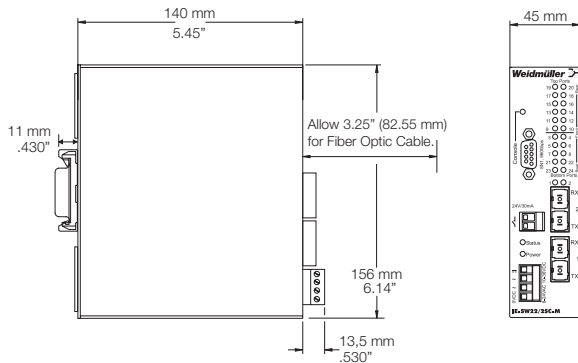


## Managed switch with 8 - 24 ports

- Robust IP20 aluminium enclosure
- For mounting on TS35 rail or wall
- IEEE 802.3x / 802.3 / 802.4 standard



## Managed switch with 8 - 24 ports

The managed switches in rugged aluminium housing are just 45 mm wide and have between 8 and 24 ports for your industrial network. With their IP 20 class of protection and operating temperature range of  $-40^{\circ}\text{C}$  to  $+75^{\circ}\text{C}$ , these switches are ideal for industrial applications.

The optional multimode FO ports with SC or ST plugs ensure noise-free transmissions over distances of up to 2 km, or up to 20 km in the single-mode form with SC plugs.

Our managed switches support many features:

- Auto-negotiation
- Redundant power supply
- Programmable error relay for PLC support
- SNMP V1
- Rapid Ring™
- RSTP 802.3w
- IGMP snooping
- Querier
- Port mirroring
- Port filtering
- Port setup functionality
- VLAN
- QoS
- TOS
- Diffserv
- MAC-based trunking
- Auto-crossover / Auto-polarity
- Auto-polarity
- Filtering and forwarding table
- Operational earthing
- Configuration via console (RS-232) or integrated web server

Our managed-line switches are also available as either multimode or singlemode versions.

## Technical data

Length/Width/Height	140 mm/45 mm/155 mm
AC input voltage, min.-max.	8-24 V AC
DC input voltage, min.-max.	10-36 V DC
Input power AC / DC	up to 20 W
Input frequency	47 - 63 Hz
Operating temperature, min.-max.	$-40^{\circ}\text{C}$ ... $75^{\circ}\text{C}$
Storage temperature, min.-max.	$-40^{\circ}\text{C}$ ... $85^{\circ}\text{C}$
Data rate	10 Base-T/100 Base-TX (copper)
	100 Base-FX (fibre)
Segment length	Copper 100 m; fibre (multimode) 2 km; fibre (singlemode) 20 km
Flow control	HD (backpressure) / FD (pause)
Status indication	Data rate; Power; Temperature monitoring; Connection/Activity
Buffer memory	2 x 256 Kbyte per 8 ports
Address memory	4 K MAC addresses per 8 ports
Approvals	cULus;CE
Aging	300 s
Optical budget	8 dB for 62.5/125 $\mu\text{m}$ multimode 4 dB for 50/125 $\mu\text{m}$ multimode 13 dB for 9/125 $\mu\text{m}$ singlemode cable

## Ordering data

Ports	Type	Order No.
6x RJ45; 2x SC-MM; 1x RS-232	IE-SW6/2SC-M	8845840000
6x RJ45; 2x SC-SM; 1x RS-232	IE-SW6/2SCS-M	8851850000
6x RJ45; 2x ST-MM; 1x RS-232	IE-SW6/2ST-M	8845850000
8x RJ45; 1x RS-232	IE-SW8-M	8845740000
14x RJ45; 2x SC-MM; 1x RS-232	IE-SW14/2SC-M	8845780000
14x RJ45; 2x SC-SM; 1x RS-232	IE-SW14/2SCS-M	8851860000
14x RJ45; 2x ST-MM; 1x RS-232	IE-SW14/2ST-M	8845790000
16x RJ45; 1x RS-232	IE-SW16-M	8845800000
22x RJ45; 2x SC-MM; 1x RS-232	IE-SW22/2SC-M	8845810000
22x RJ45; 2x SC-SM; 1x RS-232	IE-SW22/2SCS-M	8851870000
22x RJ45; 2x ST-MM; 1x RS-232	IE-SW22/2ST-M	8845820000
24x RJ45; 1x RS-232	IE-SW24-M	8845830000

### Note

Singlemode design up to 120 km on request

## Accessories

Type	Order No.
RJ45 dust protection plug	IE-DPC 8813490000

### Note