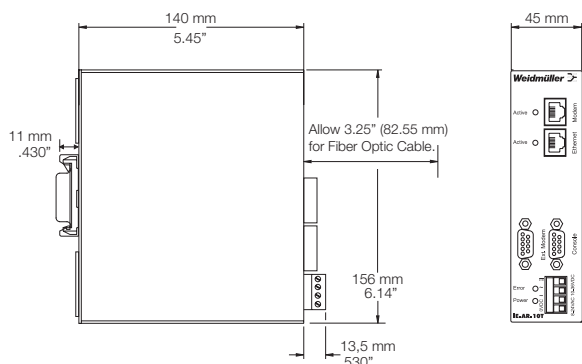




## Routers

- compact and powerful



## Routers

The Weidmüller Router Line with integral ISDN or 56k modem is your gateway between the ethernet worlds. Networks can be safely isolated and controlled with a configurable firewall.

Our router includes the following features:

- Simple parameterization and remote maintenance via a web browser
- RS-232 connection for console or external modem (Analogue, ISDN, GSM)
- PPPoE (DSL)
- SSH command-line access
- VPN (IPsec, VTUN)
- Dial on demand
- Call back
- DNS/DynDNS
- Masquerading, routing without masquerading
- Virtual mapping
- Destination NAT
- Trusted nets
- Port filter
- Transfer of configuration to another router
- Redundant power supply

In scope of delivery:

- RS232 programming cable
- RJ11 modem cable
- Handbook on CD-ROM

## Technical data

Housing	Aluminium
Length/Width/Height	140 mm/45 mm/155 mm
AC input voltage, min.-max.	8-24 V AC
DC input voltage, min.-max.	10-36 V DC
Input power AC / DC	6 W
Input frequency	47 - 63 Hz
Operating temperature, min.-max.	0 °C ... 60 °C
Storage temperature, min.-max.	-40 °C ... 85 °C
Installation	TS 35
Ingress protection class	IP 20
Standard	IEEE 802.3
Data rate	10 Base-T/100 Base-TX (copper)
Segment length	Cooper 100 m
Flow control	half-duplex
Status indication	Error; Power; Connection (Ethernet); Connection (modem)

## Ordering data

Ports	Type	Order No.
2x RJ45 (Ethernet/Modem); 2x RS-232	IE-AR-10T	8845860000
2x RJ45 (Ethernet/ISDN); 2x RS-232	IE-AR-10T-ISDN	8845750000

Note

## Accessories

	Type	Order No.
	RJ45 dust protection plug	IE-DPC 8813490000

Note