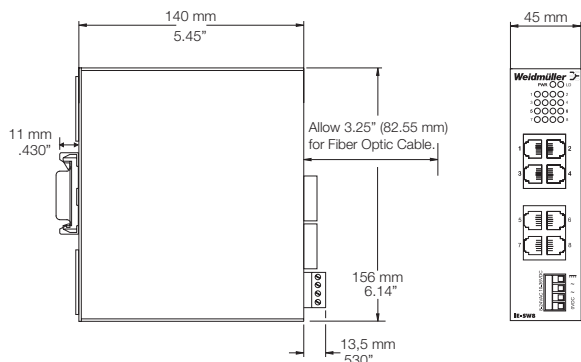


Unmanaged switch, Advanced Line, 8-24 ports

- Multimode or singlemode



Unmanaged switch, Advanced Line, 8-24 ports

The AdvancedLine in its robust aluminium housing is just 45 mm wide and has between 8 and 24 ports for your Industrial Ethernet network. With their IP 20 class of protection and operating temperature range of -40°C to 75°C, these switches are ideal for industrial applications.

The optional multimode FO ports with SC or ST connectors ensure interference-free transmission over distances of up to 2 km, or up to 20 km in the singlemode variation with SC connectors.

Full support for functions such as Autonegotiation and Autocrossing. In addition, the Weidmüller Advanced Line has a redundant voltage supply.

Technical data

Housing	Aluminium
Length/Width/Height	140 mm/45 mm/156 mm
AC input voltage, min.-max.	8-24 V AC
DC input voltage, min.-max.	10-36 V DC
AC input power/DC	20 VA AC/20 Watt DC
Input frequency	47 - 63 Hz
Operating temperature, min.-max.	-40 °C ... 75 °C
Storage temperature, min.-max.	-40 °C ... 85 °C
Installation	TS 35, wall
Ingress protection class	IP 20
Standard	ANSI / IEEE 802.x
Data rate	10BASE-T/100BASE-TX
Segment length	Copper 100 m; fibre (multimode) 2 km; fibre (singlemode) 20 km
Functionality	Autonegotiation, Autocrossing, redundant voltage supply, fault relay
Flow control	half-duplex/full duplex
Status indication	Data rate; Power; Connection/Activity
Buffer memory	256 Kbyte per 8 ports
Address memory	4 K MAC addresses per 8 ports
Approvals	cULus;CE

Ordering data

Ports	Type	Order No.
6x RJ45; 2x ST-MM	IE-SW6/2ST-ADVANCED	8942460000
6x RJ45; 2x SC-MM	IE-SW6/2SC-ADVANCED	8942450000
6x RJ45; 2x SC-SM	IE-SW6/2SCS-ADVANCED	8942470000
8x RJ45	IE-SW8-ADVANCED	8942440000
14x RJ45; 2x ST-MM	IE-SW14/2ST-ADVANCED	8808290000
14x RJ45; 2x SC-MM	IE-SW14/2SC-ADVANCED	8808280000
14x RJ45; 2x SC-SM	IE-SW14/2SCS-ADVANCED	8851880000
16x RJ45	IE-SW16-ADVANCED	8808270000
22x RJ45; 2x ST-MM	IE-SW22/2ST-ADVANCED	8808320000
22x RJ45; 2x SC-MM	IE-SW22/2SC-ADVANCED	8808310000
22x RJ45; 2x SC-SM	IE-SW22/2SCS-ADVANCED	8851890000
24x RJ45	IE-SW24-ADVANCED	8808300000

Note Singlemode design up to 120 km on request

Accessories

Type	Order No.
RJ45 dust protection plug	IE-DPC 8813490000

Note